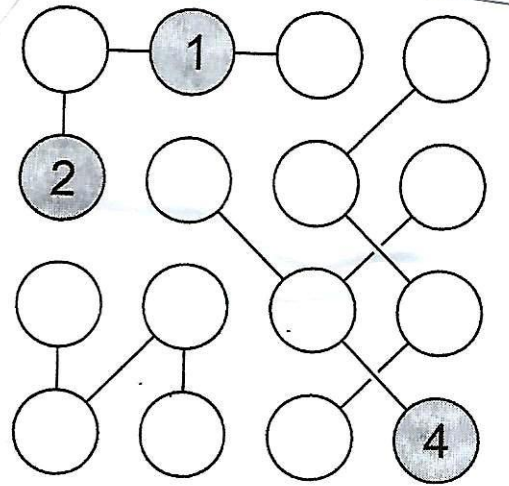
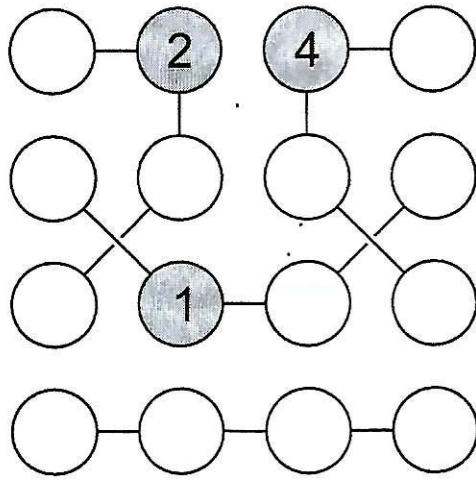
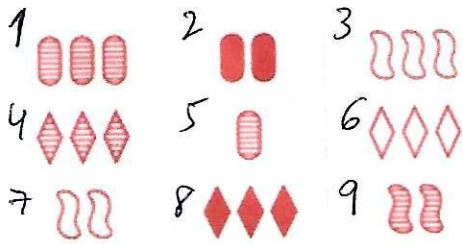


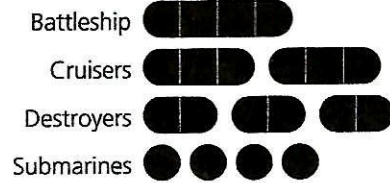
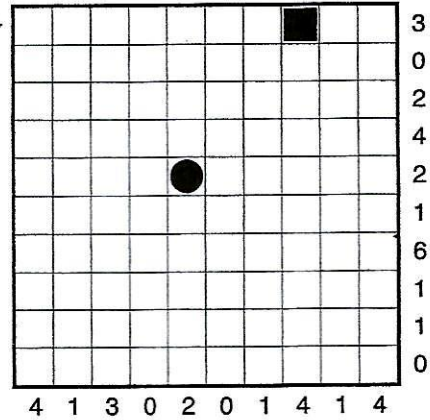
123 - B
 564 - PP
 789 - F
 794 - PP



כלום
 בדיוק
 כמעט



2-Petty Officer



0	1	0	1	0	1	0	0
1	3	3	3	3	3	2	0
1	2	2	0	2	0	3	1
0	2	2	2	3	3	2	0
1	3	3	2	2	2	1	0
1	2	1	1	1	2	2	1
0	2	3	3	3	3	3	1
0	0	1	0	1	0	1	0

1-		1-	
2÷	12x		2
		11+	
6+			

