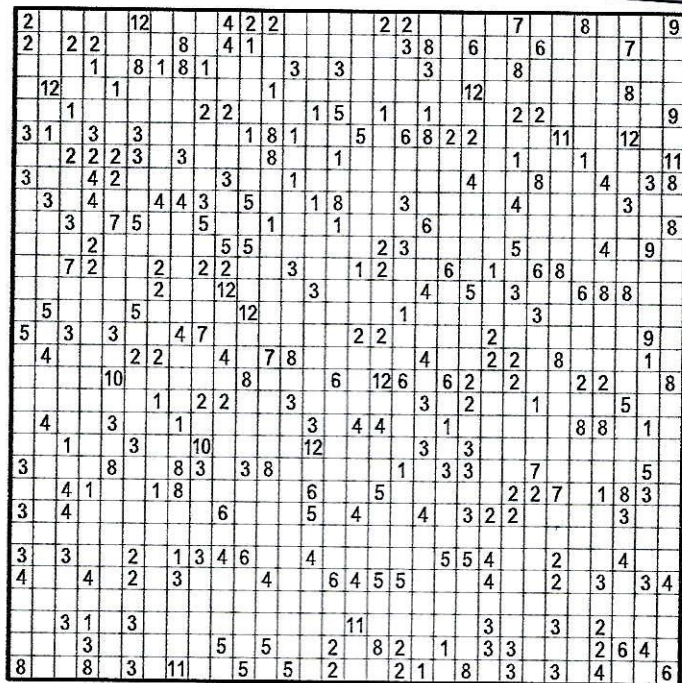


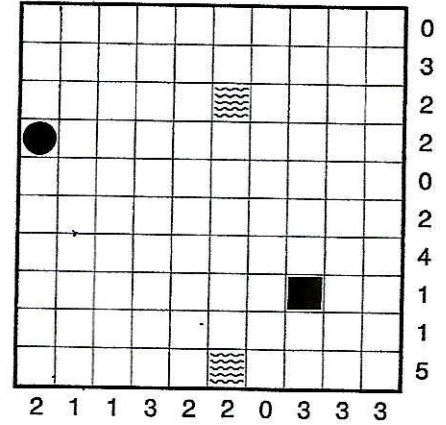
352 – PP  
 708 – P  
 576 – FP  
 243 – P  
 895 – P

כמעט  
 בדיוק

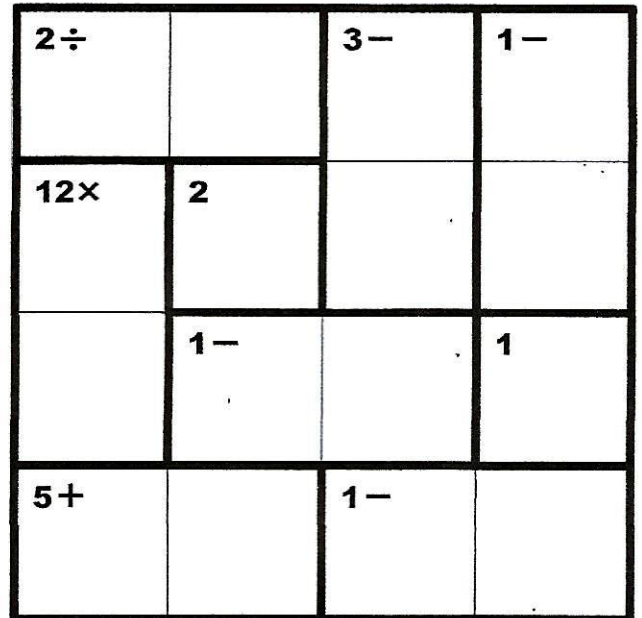
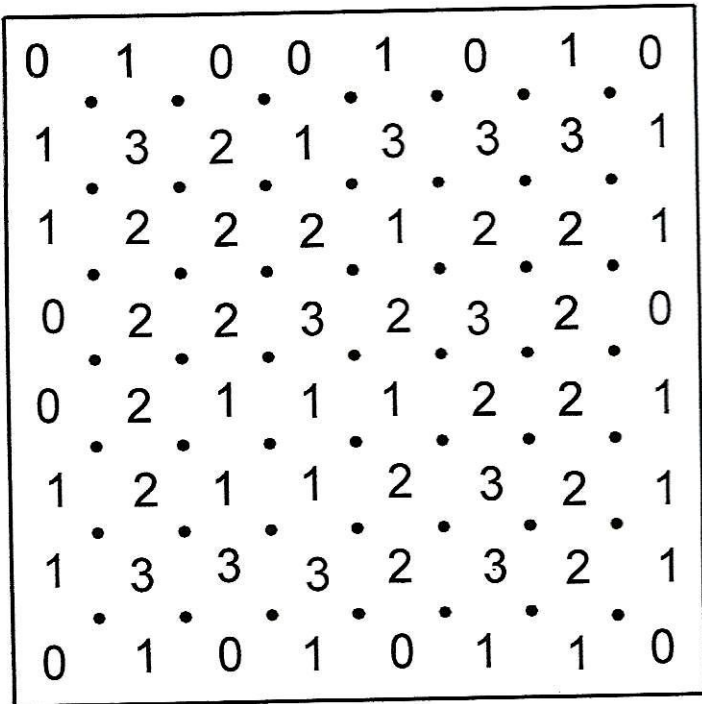


© Concepts Puzzles 02090100105

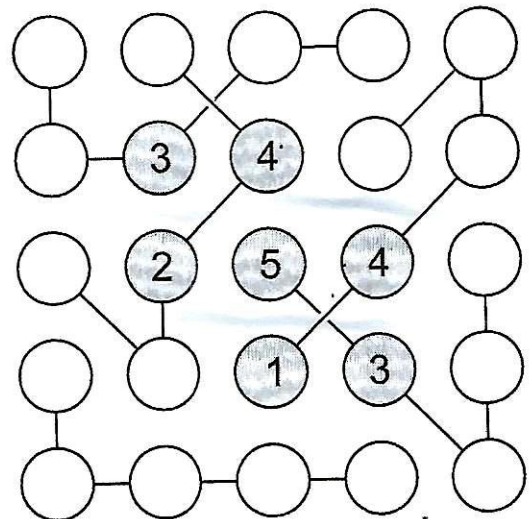
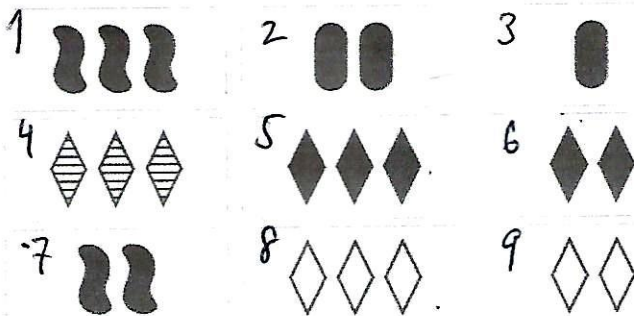
3-Ensign



- Battleship
- Cruisers
- Destroyers
- Submarines

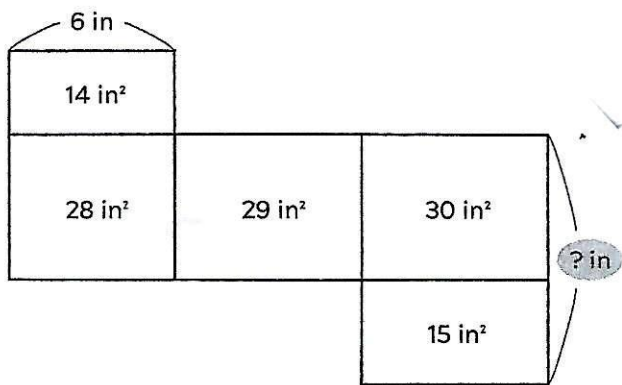


www.kenkenpuzzle.com

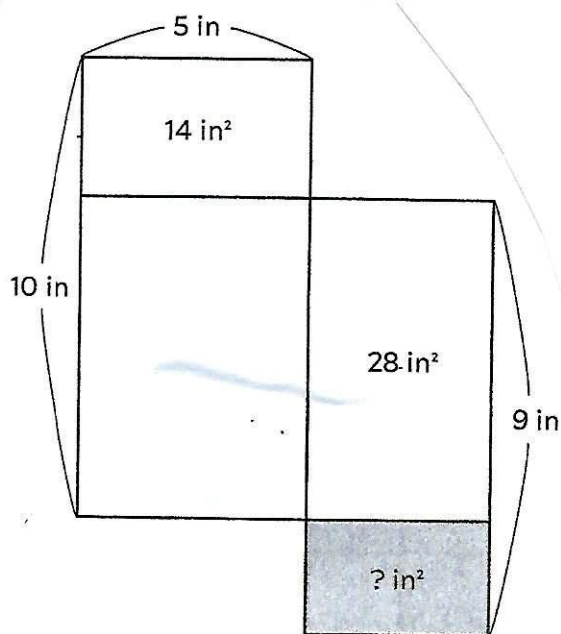


060219

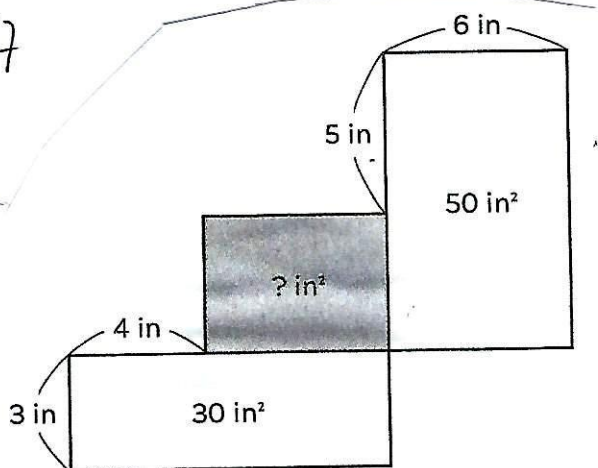
55



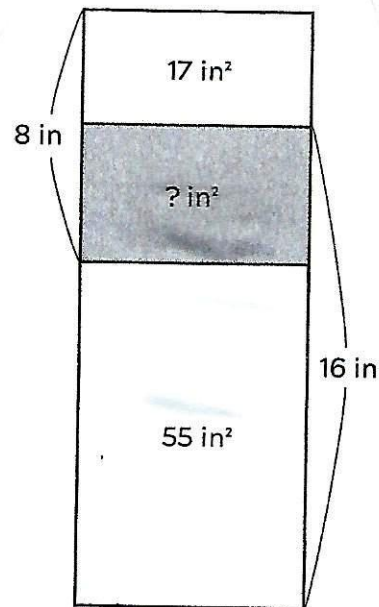
56



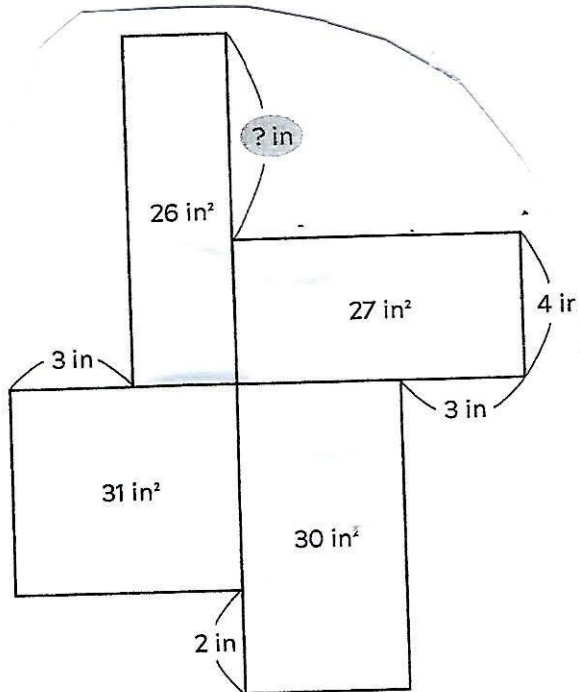
57



58



59



60

